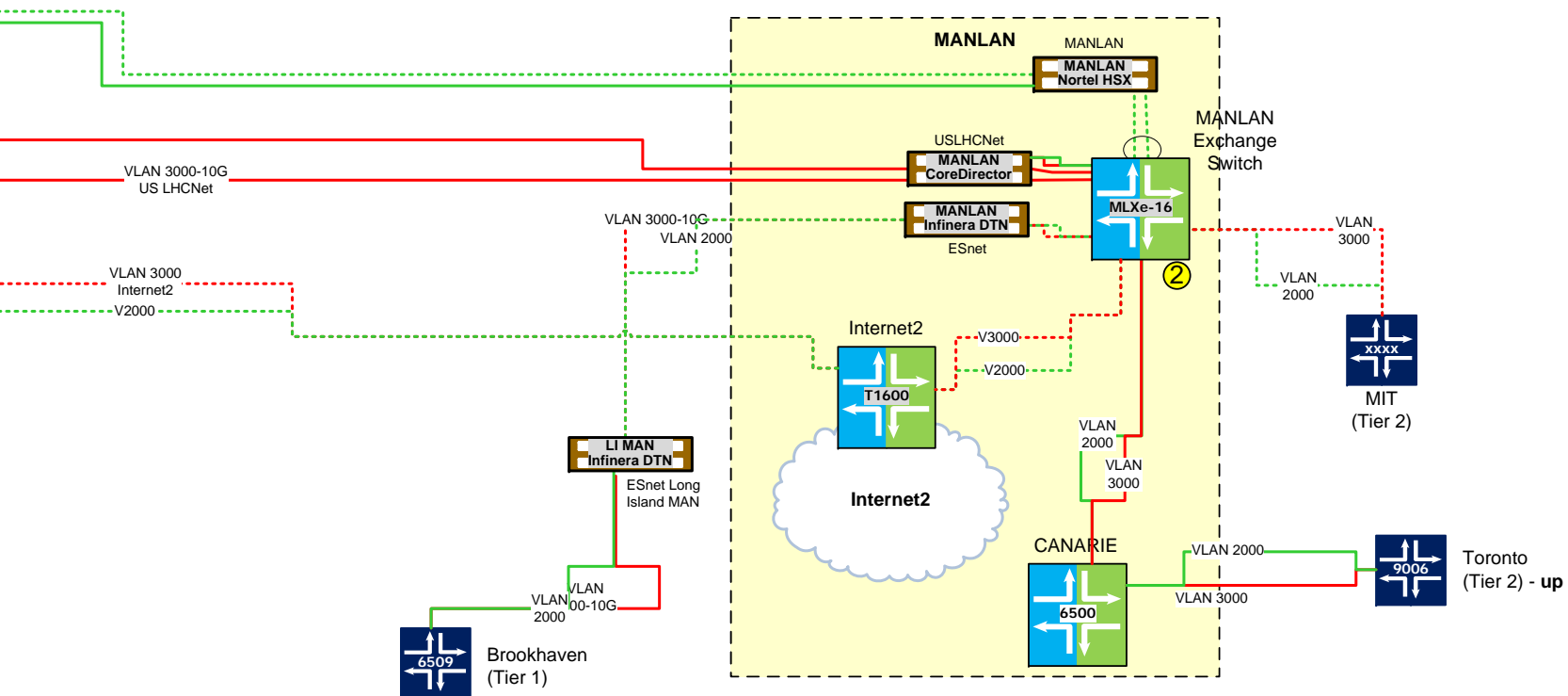
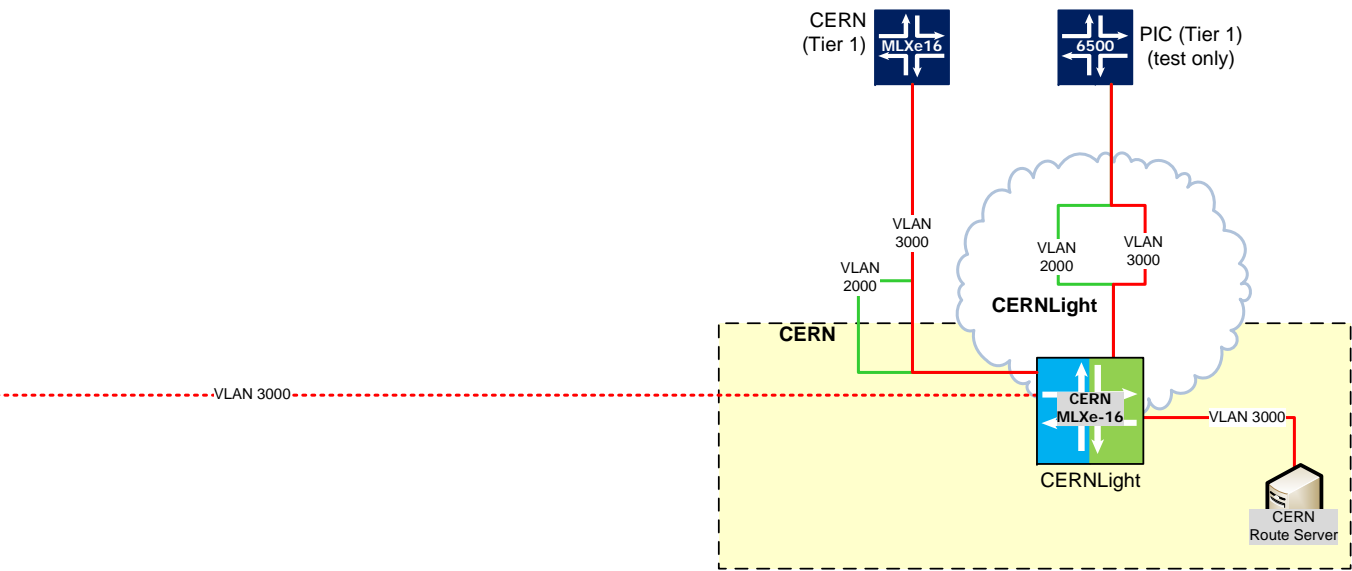


Legend and Notes are on following pages.



NOTES

- + a single generic switch/router shape is used for all L1 and L2/L3 equipment and is labeled with an abbreviated model number that is elaborated in “Devices”
- + L1 equipment is shown only when it indicates something about the link status (e.g. connected on one side but not the other) or where it is important to show a location for link physical routing or where it indicates the circuit provider.

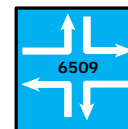
- 2) The Brocade that will replace the current MANLAN switch “is being configured now, I do not have a good idea at this time when it will be installed short of saying in the next 4 to 8 weeks or so.” (Dale F., 2011-08-16)
- 3) ECMP may be used to load balance between vlan 2000 and vlan 3000

Devices

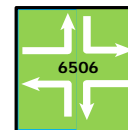
- 6509/6506/6500: Cisco
- 9006: Cisco ASR
- CoreDirector: Ciena
- MLXe-16: Brocade
- MX480/960: Juniper
- OME6500: Ciena
- T1600/640/320: Juniper
- E1200/E600: Force10
- MERS: Nortel

LEGEND

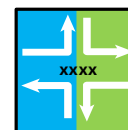
L2/3 devices



- Blue: R&E Exchange point



- Green: LHCONE exchange point



- Blue+Green: R&E Exchange point providing LHCONE services



- Orange: Intermediate network



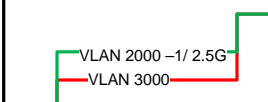
- Dark blue: site

L1 devices



- Brown

Links



- Link capacity is 10G and shared unless otherwise indicated
- If a capacity is given as xxG then that is the link (L1) capacity and it is dedicated to LHCONE – e.g. 5G
- If a capacity is given as xx/yyG, then it is dedicated LHCONE capacity (xx) / link capacity(yy) – e.g. 1/10G
- “collapsed” VLANs indicate that both VLANs are configured on this link
- With no labels, green = VLAN 2000, red=VLAN 3000.

Roles and responsibilities

Who represents intermediate networks / sites

- * ACE
 - circuits (GEANT AMS to MANLAN)
- * ASGC
 - ASGC
- * Brookhaven
 - Brookhaven (Tier 1)
- * CANARIE
 - U. Toronto (Tier 2)
- * CERNLight
 - CERN (Tier 1)
 - PIC (test)
- * ESnet
 - ESnet StarLight
 - ESnet MANLAN
- * Fermilab
 - Fermilab (Tier 1)
- * GEANT
 - RedIRIS
 - GARR
 - RENATER
 - DFN
- * Internet2
 - Internet2 MANLAN exchange
 - Internet2 Chicago L3 POP exchange
- * MANLAN
 - MIT
- * NetherLight / SurfNet
 - NL Tier 1 (SARA and NIKHEF)
- * StarLight
 - CIC OmniPoP
 - CUDI (?)
 - MiLR/MREN
 - StarLight exchange
- * USLHCnet
 - circuits (USLHCnet GVA to MANLAN, MANLAN ex. to LHCONE Starlight, NetherLight AMS to MANLAN)