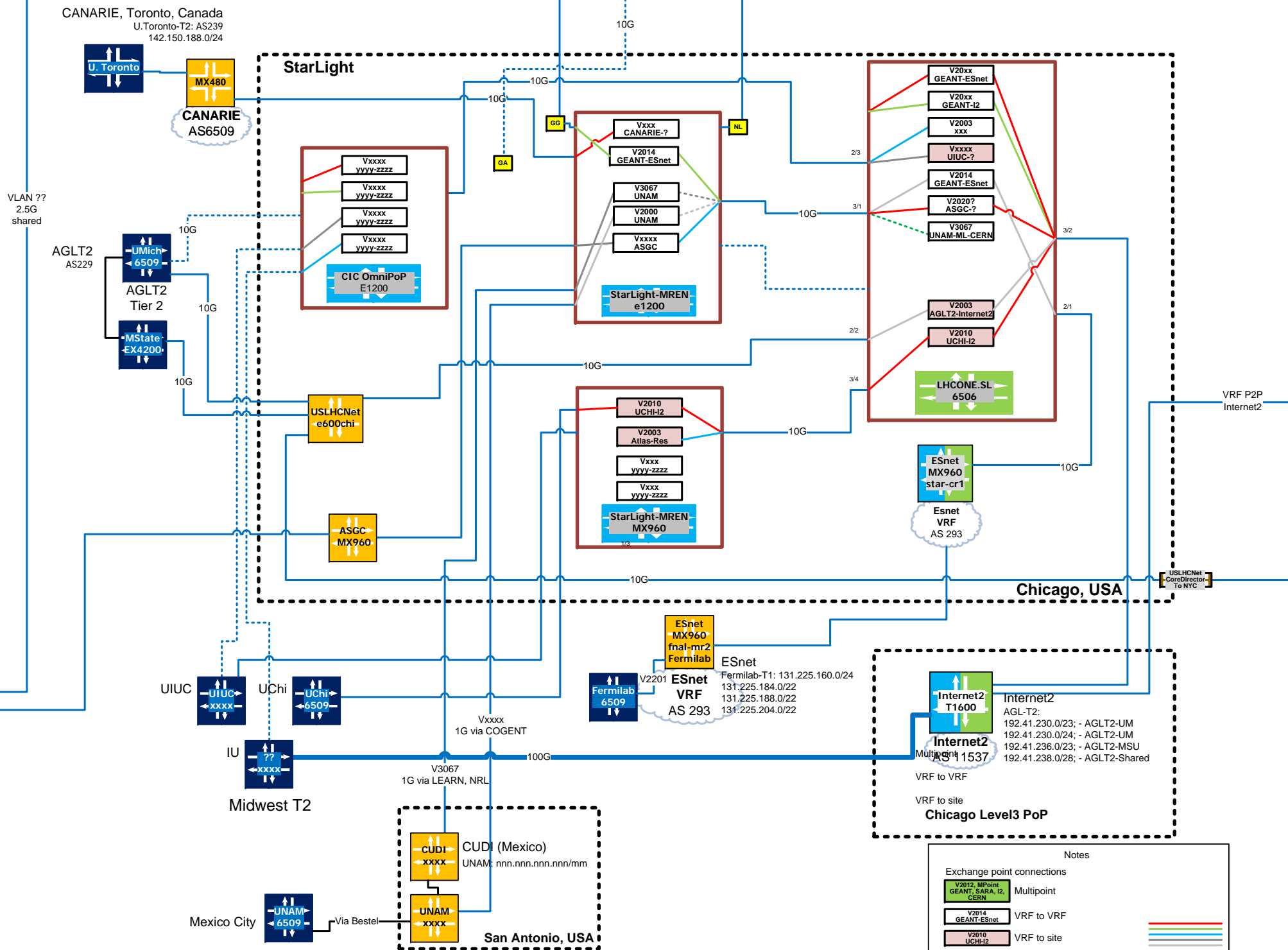
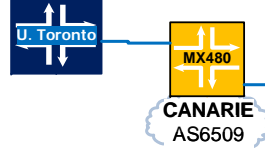


VLAN ???
 To StarLight

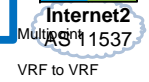
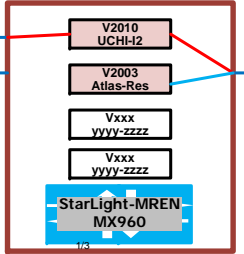
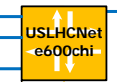
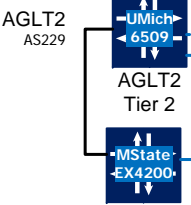
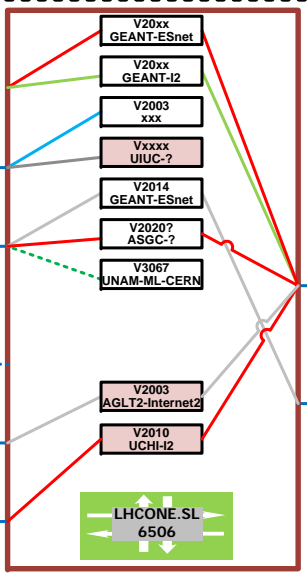
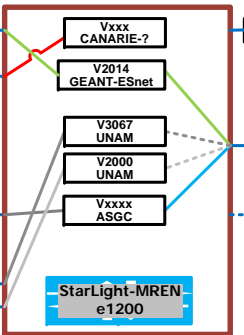
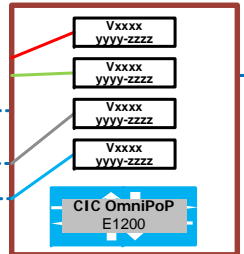
Connection into LHCONE?



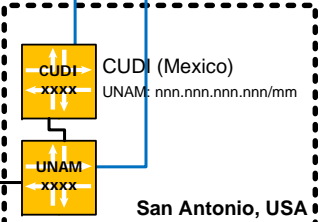
CANARIE, Toronto, Canada
 U.Toronto-T2: AS239
 142.150.188.0/24



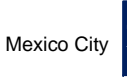
StarLight



Midwest T2



San Antonio, USA



Mexico City

Chicago, USA

USLHCNet CoreDirector To NYC

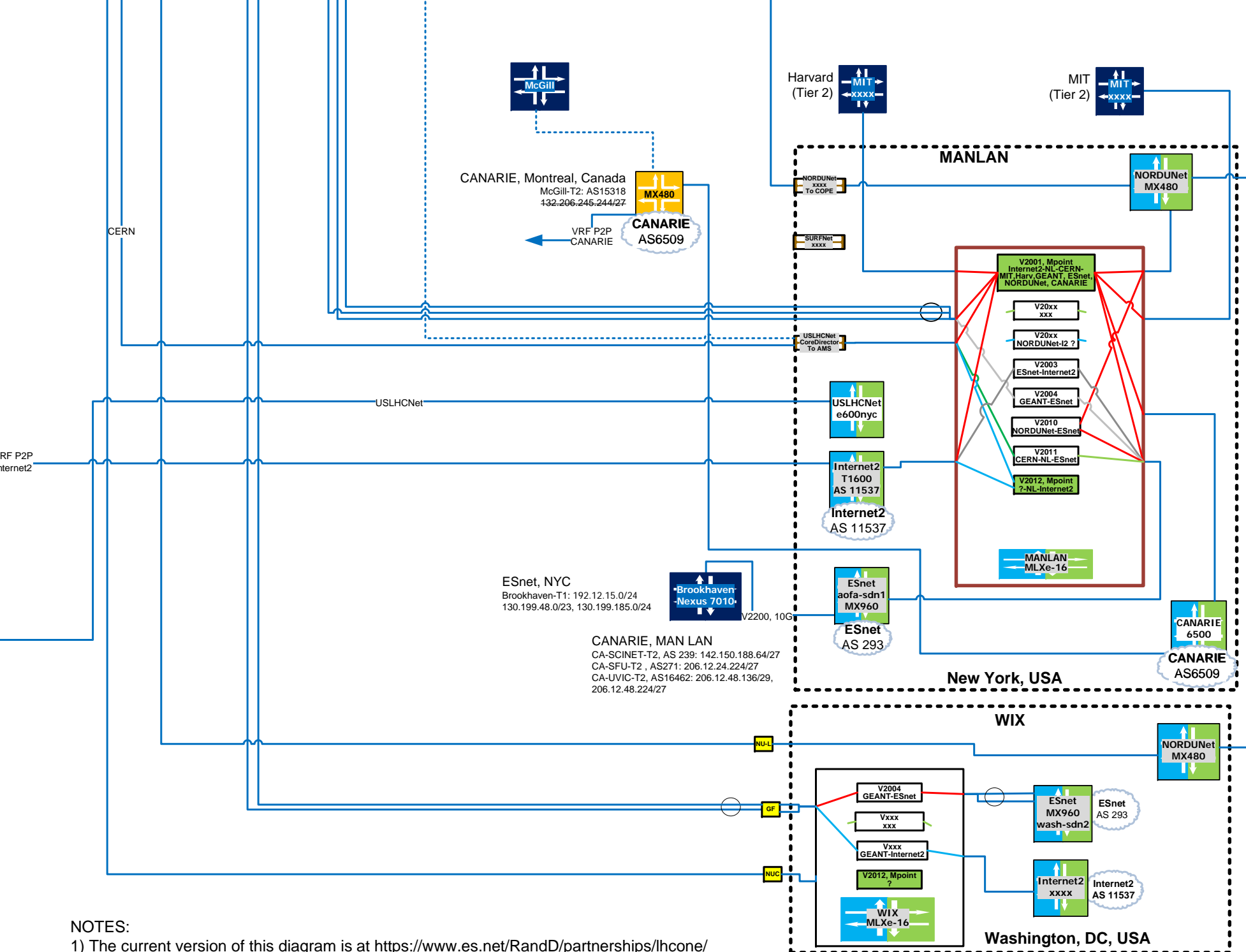
VRF P2P Internet2

VLAN ??
 2.5G shared

Notes

Exchange point connections

- V2012, MPoint GEANT-SARA, I2, CERN Multipoint
- V2014 GEANT-ESnet VRF to VRF
- V2010 UCHI-I2 VRF to site



NOTES:
 1) The current version of this diagram is at <https://www.es.net/RandD/partnerships/lhcone/>
 2) The definitive source for connected sites is: <https://twiki.cern.ch/twiki/bin/view/LHCONE/LhcOneVRF>